



HEIWA SEIKI KOGYO CO.,LTD. - Headquarters

978-1 Nishibukuro, Yashio-City, Saitama, 340-0833 Japan

TEL: +81(0) 48 995 1301

FAX: +81(0) 48 997 0804

www.libec-global.com

Libec Sales of America, Inc - U.S. Sales office

20695 S.Western Ave., #242, Torrance, CA 90501 USA

TEL: +1 310 787 9400

FAX: +1 310 787 9422

www.libecsales.com

Specifications are subject to change without notice. The colors in this brochure may differ from actual products because of the printing color inks or photographic conditions.

14/02

Libec

ALLEX

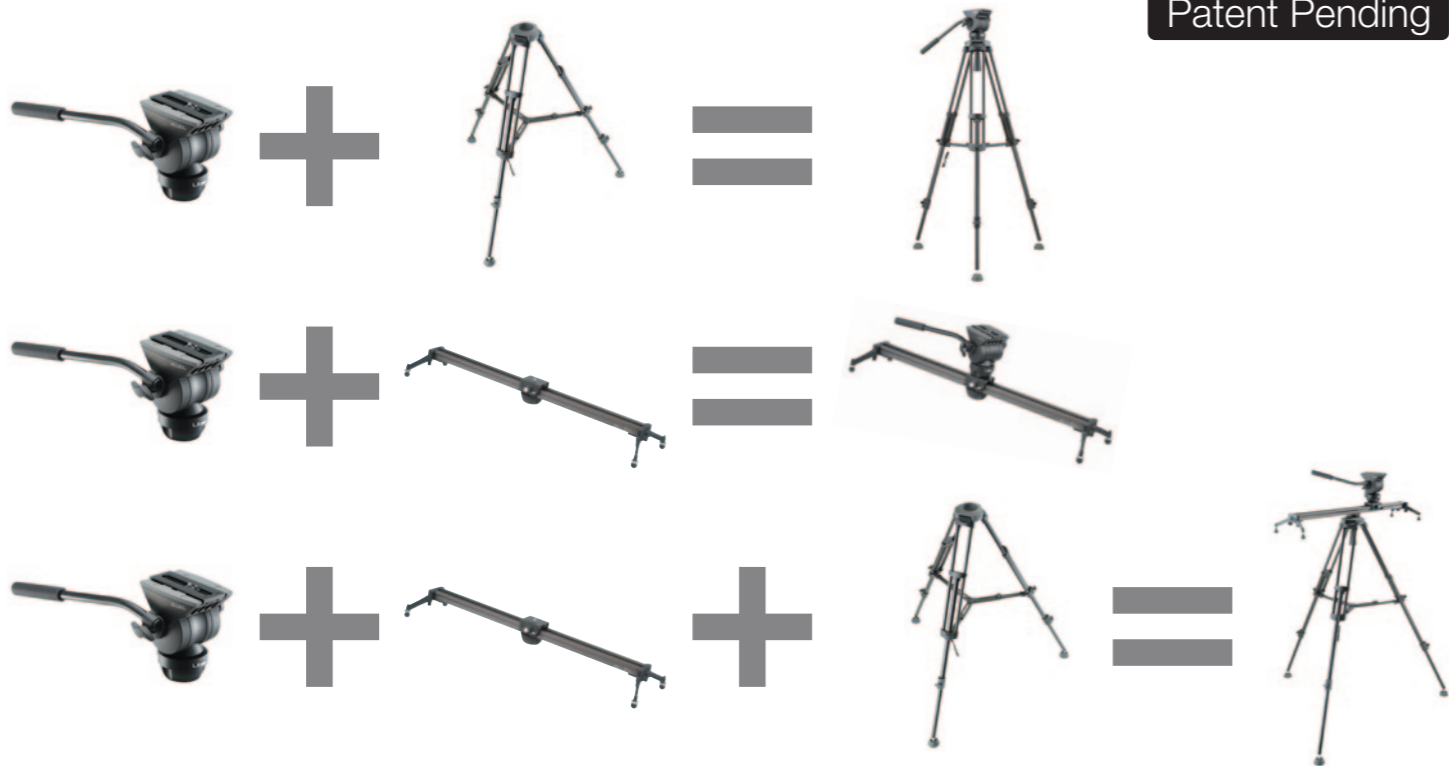
NEW STYLE TRIPOD SYSTEM



PAN, TILT, SLIDE

The ALLEX, our new style tripod system, provides greater usability than ever by perfectly performing these three movements.

Patent Pending



ALLEX



Head



Tripod



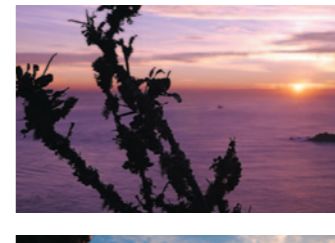
Slider



"ALLEX is a versatile, compact system that offers DSLR filmmakers a quick way to set up shots with a high production value."

David Neptune, DSLR Filmmaker, LA

ALLEX





Lightweight

Total weight of only 1.3kg/2.9lb
(including pan handle)



Dual Head

Dual-head specification
available for both 75mm ball
diameter and flat base tripods.
Mountable on sliders, skater
dollies, and other equipment.



Flat Base



75mm Bowl

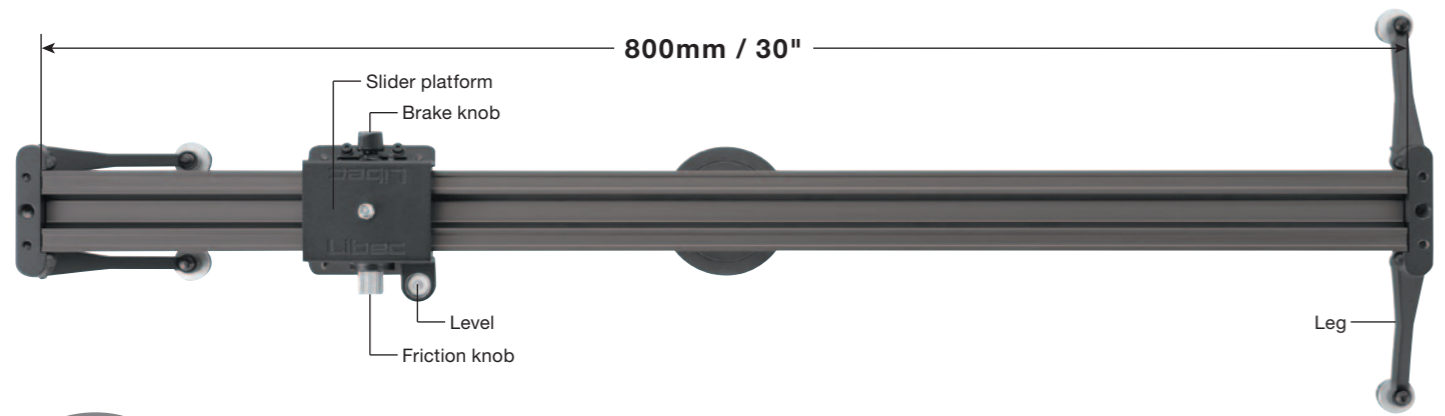
Tripod



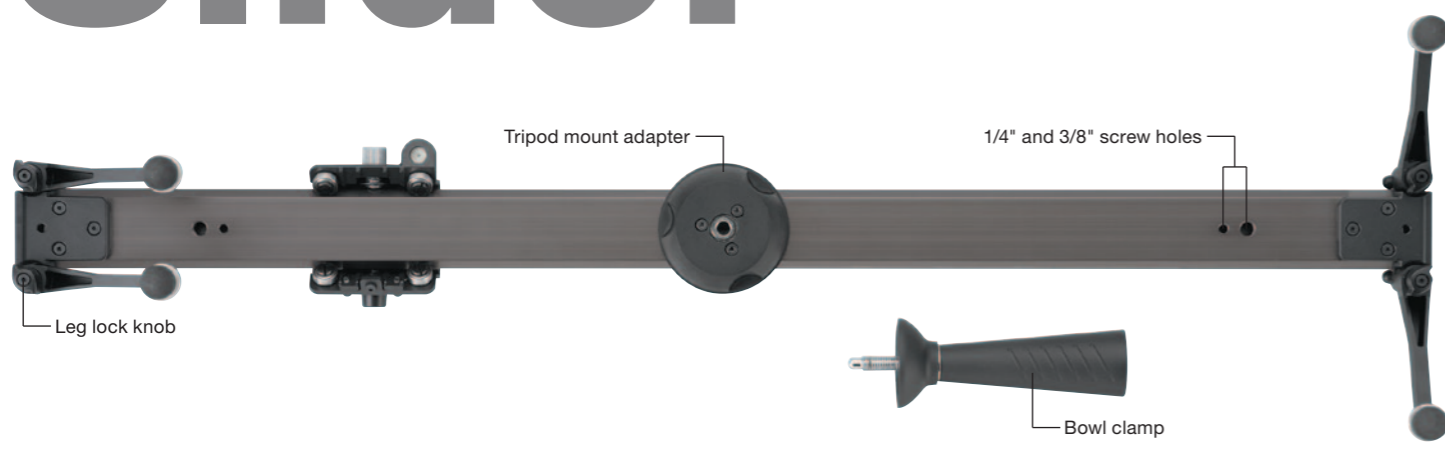
Rigidity

In spite of its lightweight of only 2.5kg/5.5lb, the ALLEX tripod has significantly higher rigidity than our existing compact tripods. This supreme rigidity is achieved by its newly modified leg stoppers. Moreover, not only high rigidity but also a perfect stability is provided by its extendable brace and spikes integrated with foot pads.



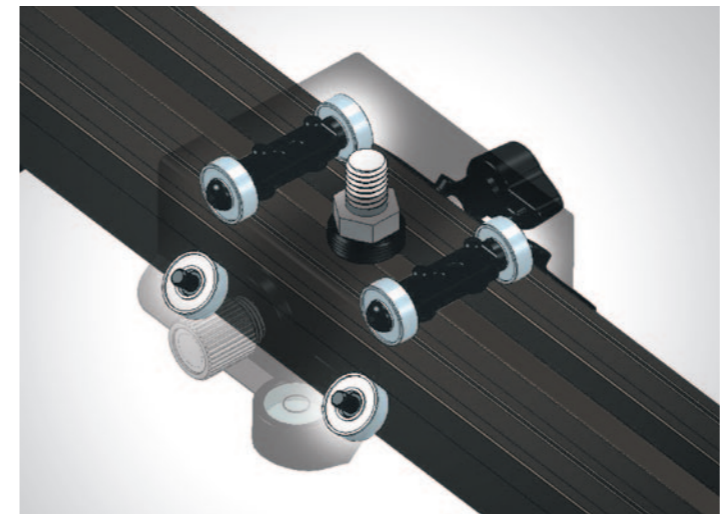


Slider



Operability

A perfect slider shooting with a smooth and delicate controllability. This is achieved by the eight high-performance ball bearings applied with specific grease, which are installed to the slider platform. The ball bearings are positioned efficiently on the rail top and at an angle on the other side, sandwiching the rail, to prevent wobbling during operation.





Slider

Usability

- ① Legs open and close to 180 degrees that allows to store the slider into the carrying case without removing the legs.
- ② The spring-equipped friction knob enables precise weight adjustment for a smooth sliding movement.
- ③ Using the supplied hexagon wrench, pushing force of the ball bearing against the rail can be adjusted.
- ④ Tripod mount adapter and bowl clamp are included for mounting the slider on 75mm ball diameter tripods.



"The ideal combination and effortless setup instantly react and capture a moment when facing a subject. Shooting with slider becomes significantly as easy as snapshots."

Yuji Nukui, Movie Director, Tokyo



ALLEX_H

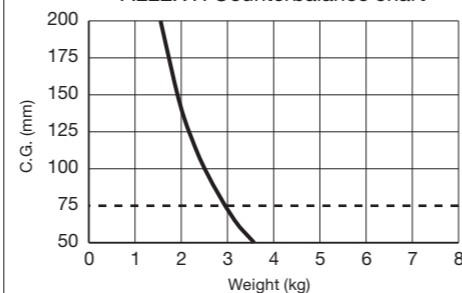
One Touch Attachment & Release



ALLEX H

Payload	4kg / 9.0lb
Counterbalance	FIX
Drag mode	FIX
Tilt angle	+90° / -80°
Temperature range	-20°C to +60°C / -4°F to +140°F
Bubble level	Illuminated
Camera plate	Sliding plate
Sliding range	+/-40mm / 1.6"
Plate attachment	1/4" screw with video pin
Spare screw	3/8" screw
Weight	1.3kg / 2.9lb

ALLEX H Counterbalance chart



* Bowl clamp is included.

ALLEX_S



ALLEX S

Weight	1.8kg / 4.0lb ^{*1}
Payload	15kg / 33.0lb ^{*2}
Head attachment screw	3/8" screw
Screw holes on the rail's back side	1/4" and 3/8" screw holes
Rail length	800mm / 31.5"
Sliding range	708mm / 28.0"

^{*1} The weight is excluding tripod mount adapter and bowl clamp.
^{*2} When not attached to the tripod.

1. Slider body
2. Tripod mount adapter
3. Maintenance brush
4. Hexagon wrench (2.5mm / 0.1")
5. Bowl clamp
6. Padded carrying case

ALLEX KIT



ALLEX KIT

Weight	3.8kg / 8.4lb
Height	74.5 to 164.5cm / 29.5 to 64.5"
Ball diameter	75mm
Section	2STAGE



ALLEX S KIT



ALLEX S KIT

Weight	5.8kg / 12.8lb
Ball diameter	75mm
Section	2STAGE





Diagonal

ALLEX_S KIT



ALLEX_H

(Head × 2 + Slider + Tripod)

A combination use of the ALLEX S KIT with the ALLEX H produces an amazing variety of shooting conditions.



Vertical

