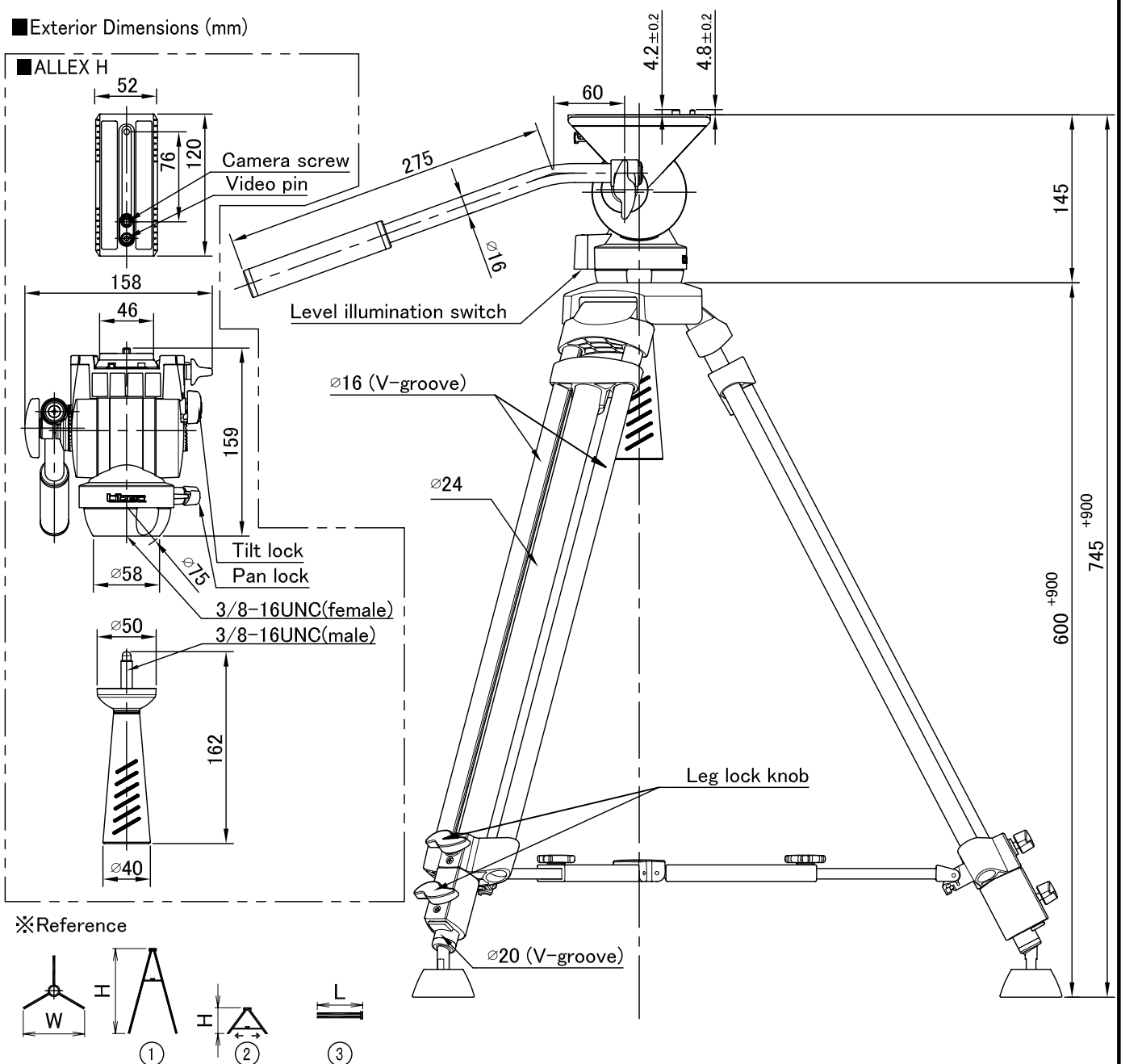


System	ALLEX H (Head) + ALLEX T (Tripod) + RC-20 (Carrying case)		
Payload	4 kg / 9.0 lb	Tilt angle	+90° / -80°
Weight	3.8kg / 8.4 lb	Pan angle	360°
Height	① H : 1645 mm W : 855 mm ( ※Reference )	Counterbalance	FIX
	② H : 745 mm W : 635 mm ( " )		---
Folded length	③ L : 820 mm ( " )	Drag mode	FIX
Camera plate (Sliding range)	Sliding plate	Head base	Ball $\varnothing 75$ mm / Flat base with 3/8" female thread
	$\pm 40$ mm / $\pm 1.6$ "	Section	2 STAGE
Plate attachment	1/4-20UNC screw with video pin	Tripod fixation	Fixing lock knob
(Screw sliding range)	76 mm / 3"	Spreader	Mid-level spreader (Telescopic) *Unremovable
Spare screw	3/8-16UNC screw	Pan handle	Unique pan handle (Non-telescopic)
	Equipped on the top of the head (beneath sliding plate)	Case material	Nylon , Polyester , TPE , PE , PP

### Remarks

### ■ Exterior Dimensions (mm)

#### ■ ALLEX H



#### ※Reference

