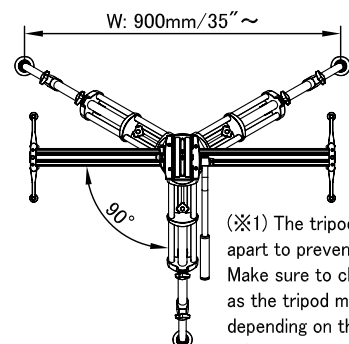
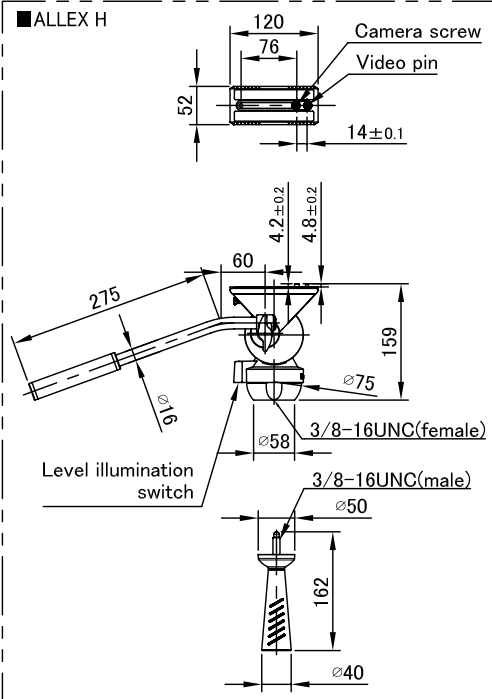


System	ALLEX H (Head) + ALLEX T (Tripod) + RC-20 (Carrying case) + ALLEX S (Slider) + ALLEX S Case		
Payload	4 kg / 9.0 lb	Tilt angle	+90° / -80°
Weight	5.9kg / 13.0 lb	Pan angle	360°
Height	① H : 1720 mm W : 855 mm ( ※Reference )(※1)	Counterbalance	FIX
	② H : 820 mm W : 635 mm ( " ) (※1)		---
Folded length	③ L : 895 mm ( " )	Drag mode	FIX
Camera plate (Sliding range)	Sliding plate	Head base	Ball $\varnothing 75$ mm / Flat base with 3/8" female thread
	$\pm 40$ mm / $\pm 1.6$ "	Section	2 STAGE
Plate attachment (Screw sliding range)	1/4-20UNC screw with video pin	Tripod fixation	Fixing lock knob
	76 mm / 3"	Spreader	Mid-level spreader (Telescopic) *Unremovable
Spare screw	3/8-16UNC screw	Pan handle	Unique pan handle (Non-telescopic)
	Equipped on the top of the head (beneath sliding plate)	Case material	Nylon , Polyester , TPE , PE , PP

### Remarks

ALLEX S Payload : For table top 15kg / 33lb

### Exterior Dimensions (mm)



(※1) The tripod legs shall be spread at least 900mm/35" apart to prevent the tripod from falling over. Make sure to check operation after set up is completed, as the tripod may fall over even its legs are spread enough, depending on the camera balance, and weight and positions of attached accessories.

※Reference

